

MiniKOLT 50



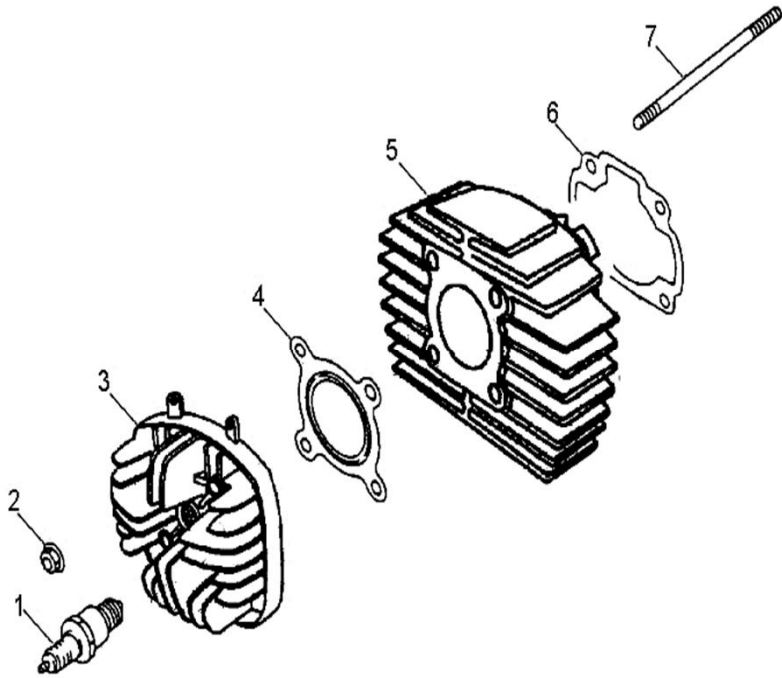
VIN Nंबर:

RF3AT60AADT019286

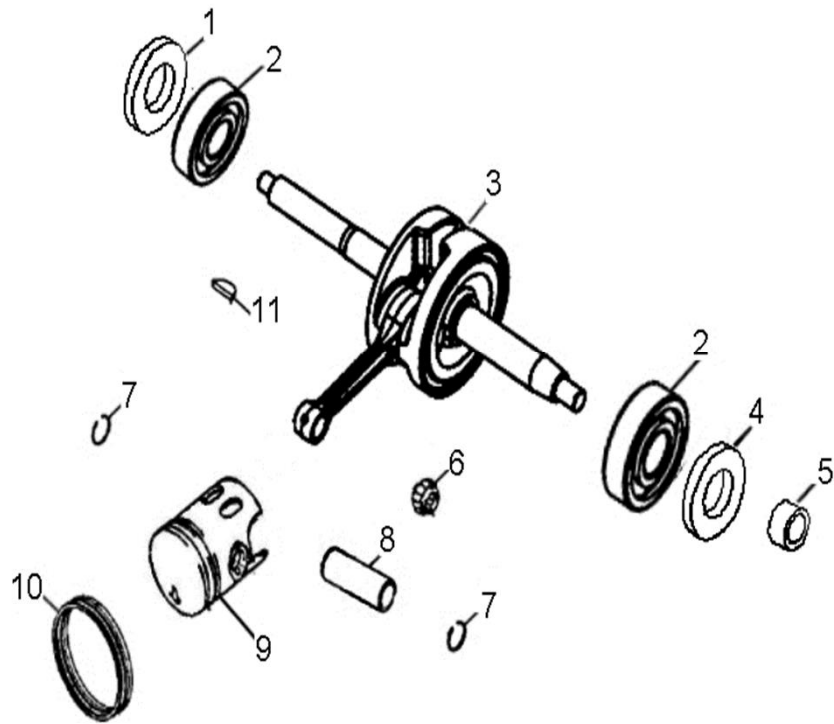


D-1:CYLINDER HEAD

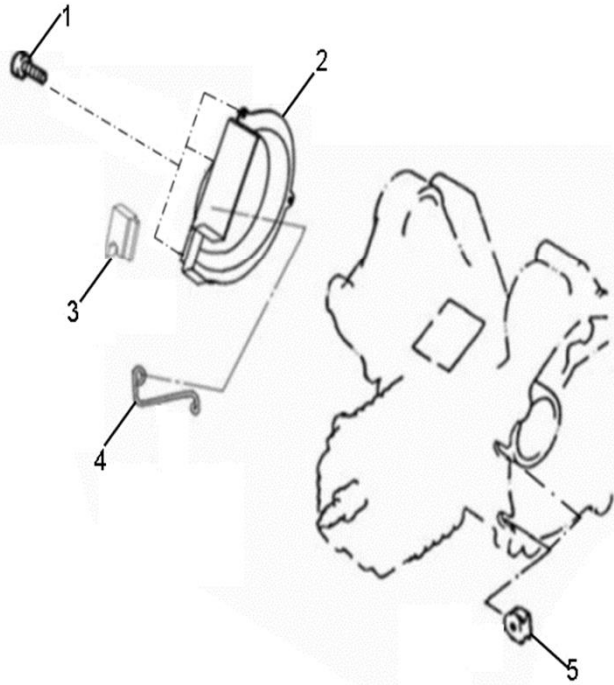
| ITEM | DESCRIPTION | P/N | Q"TY | Note |
|------|-----------------------|------------------|------|---------|
| 1 | Plug, Spark | 98076111-00A | 1 | |
| 2 | Nut | 94050-07000-00C | 4 | M7*P1.0 |
| 3 | Head, Cylinder | 12201155-000 | 1 | |
| 4 | Gasket, Cylinder Head | 12251113-000 | 1 | |
| 5 | Cylinder | 12101201-000 | 1 | |
| 6 | Gasket, Cylinder | 12191113-001 | 1 | |
| 7 | Stud | 91001-071108-00C | 4 | |



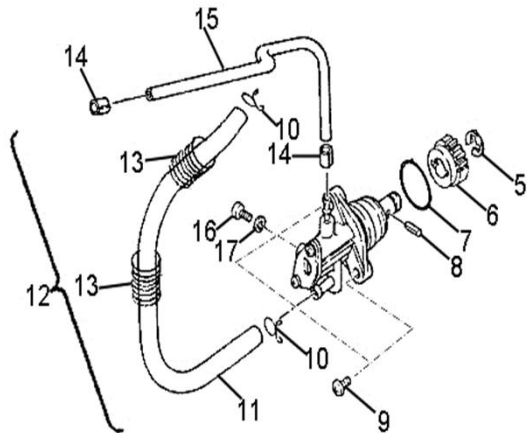
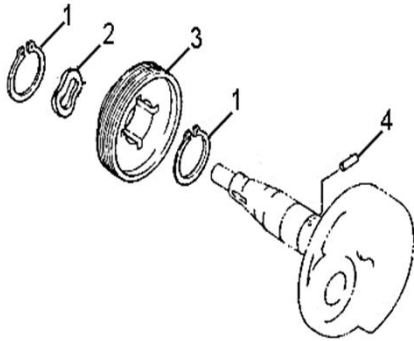
| ITEM | DESCRIPTION | P/N | Q"TY | Note |
|------|-------------------|-------------------|------|-------|
| 1 | Seal, Oil | 96500-203006A7951 | 1 | |
| 2 | Bearing, Ball | 96100-62040-JR2C3 | 2 | JR2C3 |
| 3 | Asm., Crankshaft | 13020113-000 | 1 | |
| 4 | Seal, Oil | 96500-204208A7951 | 1 | |
| 5 | Collar, Crank, LH | 13316113-000 | 1 | |
| 6 | Bearing, Needle | 96200-101412 | 1 | |
| 7 | Clip, Piston Pin | 13115111-000 | 2 | |
| 8 | Pin, Piston | 13111111-000 | 1 | |
| 9 | Piston | 13100111-000 | 1 | |
| 10 | Ring Set, Piston | 13011111-000 | 1 | |
| 11 | Key, Woodruff | 90471-03013 | 1 | |



| ITEM | DESCRIPTION | P/N | Q"TY | Note |
|------|--------------------------|------------------|------|-------------|
| 1 | Bolt | 91000-060128-00K | 3 | M6*P1.0*12L |
| 2 | Cover Set, Flywheel | 19610201-000 | 1 | |
| 3 | Cover, Swing Arm Seal | 52422201-000 | 1 | |
| 4 | Retainer, Oil Pump Cover | 45451170-000 | 1 | |
| 5 | Grommet, Cylinder | 83552113-000 | 2 | |

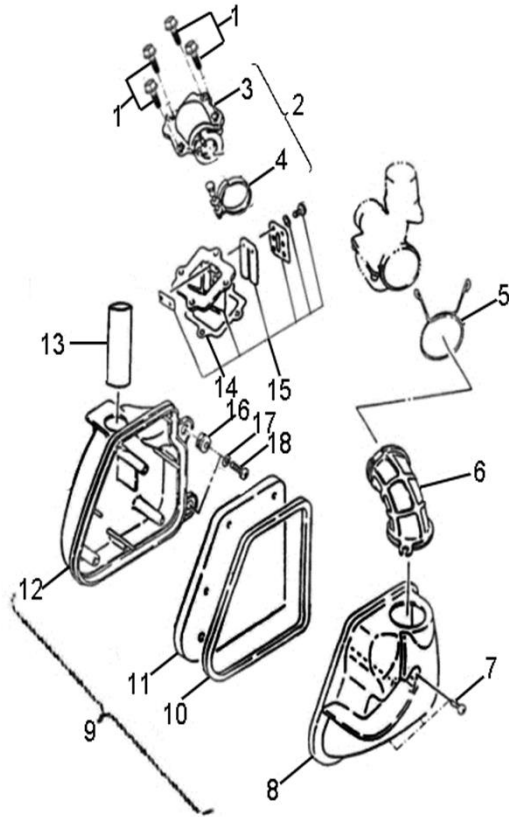


D-4:PUMP ASSEMBLY

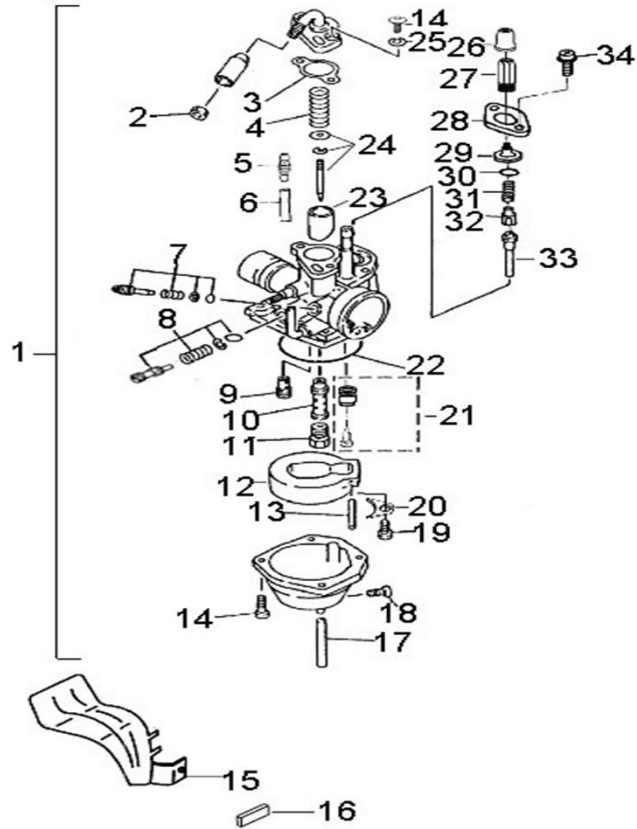


| ITEM | DESCRIPTION | P/N | Q"TY | Note |
|------|------------------------------|-------------------|------|-------------|
| 1 | Clip, Cir | 94511-1900S | 2 | |
| 2 | Washer | 94124-2026003-00K | 1 | |
| 3 | Sprocket, Oil Pump | 15150111-000 | 1 | |
| 4 | Pin, Dowel | 94301-03012 | 1 | φ3*12L |
| 5 | Clip, Cir | 94511-0700E | 1 | |
| 6 | Gear, Worm, Oil Pump | 15136111-000 | 1 | |
| 7 | O-Ring | 93210-01414 | 1 | |
| 8 | Pin, Shaft | 96300-03013 | 1 | |
| 9 | Bolt | 91000-050168-00K | 2 | M5*P0.8*16L |
| 10 | Clamp | 94510-08000 | 2 | |
| 11 | Fuel hose | 94401-05009-430 | 1 | |
| 12 | Asm., Pump, Oil | 15100202-000 | 1 | |
| 13 | Spring, Protective, Oil Pipe | 15311113-000 | 2 | |
| 14 | Clip | 94510-05000 | 2 | |
| 15 | Tube, Oil | 94403-02005-350 | 1 | |
| 16 | Bolt | 93500-040168-00K | 1 | |
| 17 | Washer | 94101-0400805-000 | 1 | φ8.5*10.5L |

D-5: AIR CLEANER

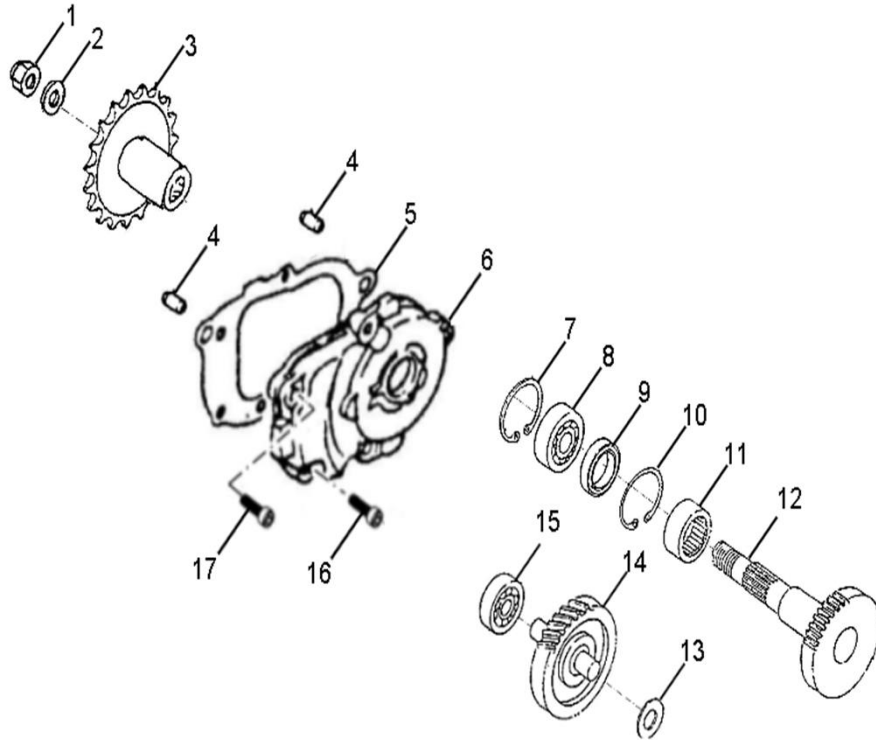


| ITEM | DESCRIPTION | P/N | Q"TY | Note |
|------|--------------------------|-------------------|------|--------------|
| 1 | Bolt | 96000-060188-08C | 4 | M6*P1.0*18l |
| 2 | Asm., Manifold, Intake | 17100113-000 | 1 | Incl. 3 |
| 3 | Manifold | 17101113-000 | 1 | |
| 4 | Clamp, Hose | 17102113-000 | 1 | |
| 5 | Clip | 94510-40000 | 1 | |
| 6 | Boot | 17253113-000 | 1 | |
| 7 | Screw | 93903-1050268-000 | 3 | |
| 8 | Cover, Air Cleaner | 17207113-000 | 1 | |
| 9 | Asm., Cleaner, Air | 17200153-C00 | 1 | |
| 10 | Seal | 17212113-000 | 1 | |
| 11 | Filter, Air Cleaner | 17205113-000 | 1 | |
| 12 | Box, Air Cleaner | 17206113-000 | 1 | |
| 13 | Tube, Inlet, Air Cleaner | 17219131-001 | 1 | |
| 14 | Gasket | 17111113-000 | 1 | |
| 15 | Asm., Reed Valve | 17110113-000 | 1 | |
| 16 | Grommet | 17485113-000 | 2 | |
| 17 | Washer | 94101-0613010-00C | 2 | ø6.1* φ 13*t |
| 18 | Bolt | 91000-060208-00C | 2 | M6*P1.0*20l |



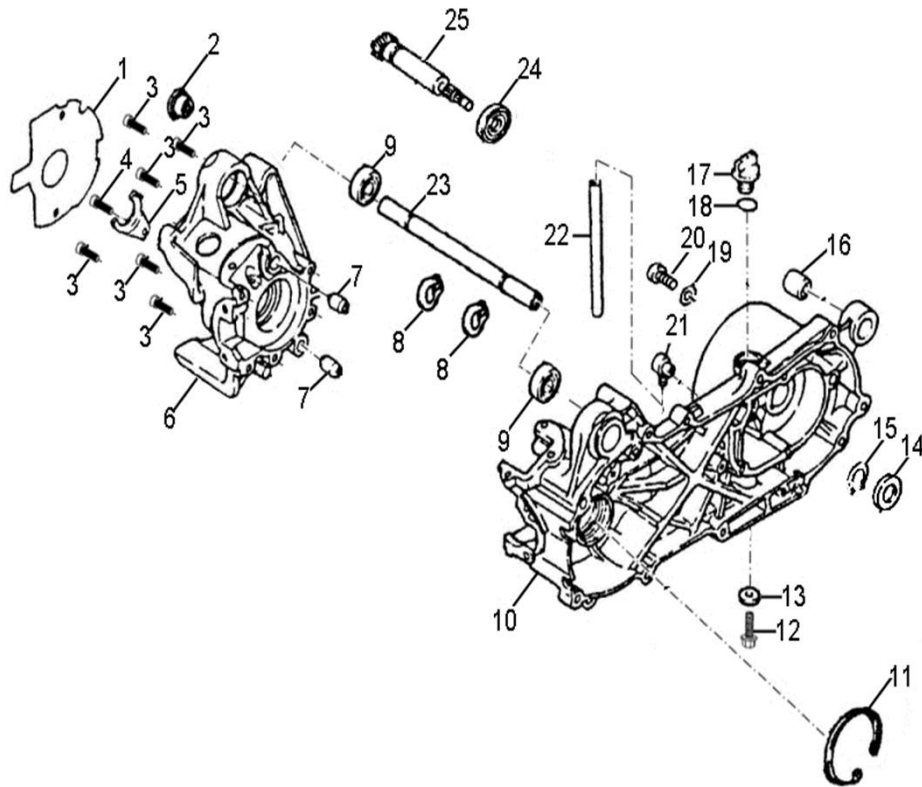
| ITEM | DESCRIPTION | P/N | Q"TY | Note |
|------|-----------------------|-------------------|------|---------------|
| 1 | Asm., Carburetor | 16100208-000 | 1 | |
| 2 | Nut, Cable Adjust | 16113151-000 | 1 | |
| 3 | Gasket | 16101151-000 | 1 | |
| 4 | Spring | 16102113-000 | 1 | |
| 5 | Plug, Oil | 16120131-000 | 1 | |
| 6 | Pipe, Oil | 94403-03565-065 | 1 | 3.5* φ 6.5-65 |
| 7 | Screw, Air | 16115151-000 | 1 | |
| 8 | Screw, Idle | 16114151-000 | 1 | |
| 9 | Jet, Pilot | 16110151-000 | 1 | |
| 10 | Valve, Needle | 16105151-000 | 1 | |
| 11 | Jet, Main | 16108201-000 | 1 | |
| 12 | Float | 16123151-000 | 1 | |
| 13 | Pin, Float | 16119151-000 | 1 | |
| 14 | Bolt | 93500-040148-000 | 6 | M4*P0.6*14L |
| 15 | Shroud, Air, Cylinder | 19620170-000 | 1 | |
| 16 | Foam, battery | 81113153-000 | 1 | |
| 17 | Drain Tube | 16109151-000 | 1 | |
| 18 | Plug, Drain | 16111151-000 | 1 | |
| 19 | Bolt | 93500-030068-000 | 1 | M3*P0.6*6L |
| 20 | Bracket, Valve | 16185201-000 | 1 | |
| 21 | Valve, Float | 16117151-000 | 1 | |
| 22 | Seal, Float | 16106151-000 | 1 | |
| 23 | Throttle, Valve | 16103151-000 | 1 | |
| 24 | Asm., Jet Needle | 16104151-000 | 1 | |
| 25 | Washer, Spring | 94111-0407010-000 | 2 | φ4.1* φ7*t1 |
| 26 | Grommet | 16129170-000 | 1 | |
| 27 | Support, Cable | 16130170-000 | 1 | |
| 28 | Bracket, Manual Choke | 16126170-000 | 1 | |
| 29 | Base, Manual Choke | 16125170-000 | 1 | |
| 30 | O-Ring | 93210-01418 | 1 | |
| 31 | Recoil, Choke | 16127170-000 | 1 | |
| 32 | Valve, Choke | 16320201-000 | 1 | |
| 33 | Jet, Choke | 16214151-001 | 1 | |
| 34 | Bolt | 93501-040088-000 | 2 | |

D-7:DRIVE SHAFT

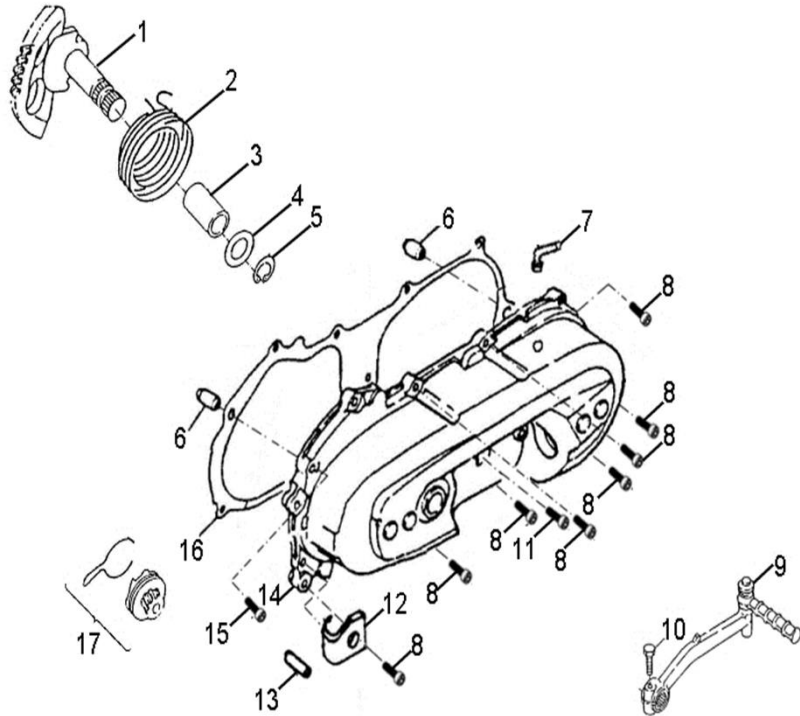


| ITEM | DESCRIPTION | P/N | Q"TY | Note |
|------|----------------------------|---------------------|------|-------------|
| 1 | Nut | 90350-14000-00C | 1 | M14*P1.5 |
| 2 | Washer | 94101-1426020-00C | 1 | 14.2*φ26*t |
| 3 | Sprocket, Drive | 23801170-000 | 1 | 17T |
| 4 | Pin, Dowel | 94301-10140 | 2 | φ10*14L |
| 5 | Gasket, Transmission Cover | 21395113-001 | 1 | |
| 6 | Cover, Transmission | 21301113-000 | 1 | |
| 7 | Clip, Cir | 94512-4200R | 1 | |
| 8 | Bearing, Ball | 96100-6004-LLUC3/ZG | 1 | 04LLUC3/L5 |
| 9 | Seal, Oil | 96500-253506A7271 | 1 | |
| 10 | Clip, Cir | 94512-320IR | 1 | |
| 11 | Bearing, Needle | 96200-253315 | 1 | |
| 12 | Asm., Drive Axle | 23430113-000 | 1 | |
| 13 | Washer | 94101-1222010-STE | 1 | |
| 14 | Axle, Main | 23420113-000 | 1 | |
| 15 | Bearing, Ball | 96100-62010-00000 | 1 | |
| 16 | Bolt | 91000-060208-00C | 3 | M6*P1.0*20L |
| 17 | Bolt | 91000-060308-00K | 2 | |

D-8:CRANKCASE

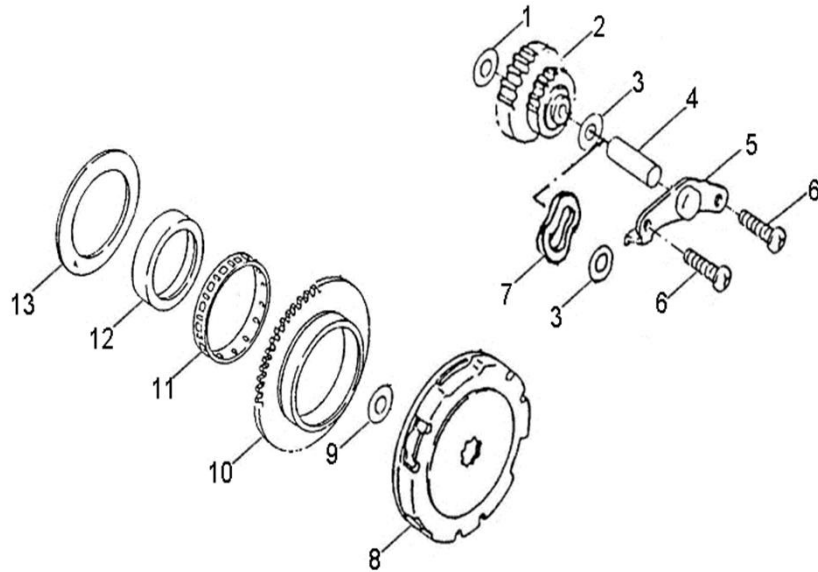


| ITEM | DESCRIPTION | P/N | Q"TY | Note |
|------|----------------------------|-------------------|------|--------------|
| 1 | Gasket, Generator | 11121113-000 | 1 | |
| 2 | Plug, Rubber | 11103111-000 | 1 | |
| 3 | Bolt | 91000-060358-00K | 6 | M6*P1.0*35L |
| 4 | Bolt | 91000-060108-00C | 1 | M6*P1.0*10L |
| 5 | Bracket, Oil Seal | 11111111-000 | 1 | |
| 6 | Crankcase, RH | 11101155-000 | 1 | |
| 7 | Pin, Dowel | 94301-12160 | 2 | φ12*16L |
| 8 | Clip, Cir | 94511-1700S | 2 | |
| 9 | Bearing, Ball | 96100-60030-LLU00 | 2 | |
| 10 | Crankcase, LH | 11201131-000 | 1 | |
| 11 | Clip, Cir | 94512-4200R | 1 | |
| 12 | Bolt | 96000-080168-00K | 1 | M8*P1.25*16L |
| 13 | Washer | 94101-0815012-00U | 1 | |
| 14 | Seal, Oil | 96500-172805T3034 | 1 | |
| 15 | Clip, Cir | 94511-1700S | 1 | |
| 16 | Bushing | 96400-082020 | 1 | |
| 17 | Plug, Oil | 15650111-001 | 1 | |
| 18 | O-Ring | 93210-01326 | 1 | |
| 19 | Washer | 94101-0619010-00C | 1 | φ6.1*φ19*t |
| 20 | Bolt | 91000-060108-00C | 1 | M6*P1.0*10L |
| 21 | Breather, Crankcase, Lower | 11610113-000 | 1 | |
| 22 | Hose | 94408-05007-100 | 1 | |
| 23 | Shaft | 11150170-000 | 1 | |
| 24 | Bearing, Ball | 96100-60030-00000 | 1 | |
| 25 | Asm., Shaft, Drive | 23411113-000 | 1 | |

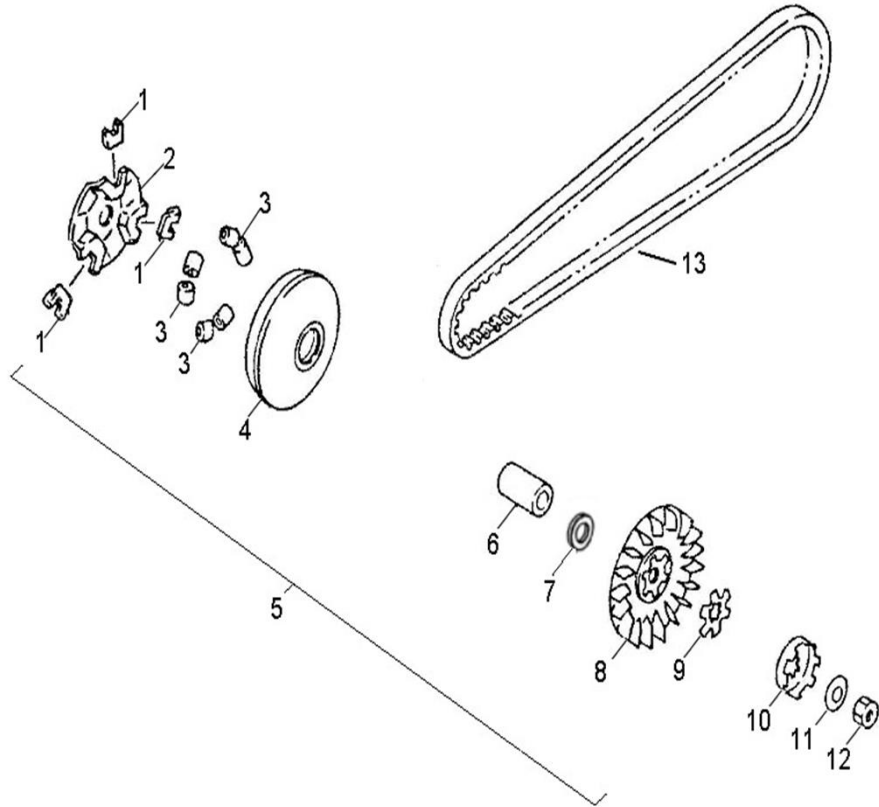


| ITEM | DESCRIPTION | P/N | Q"TY | Note |
|------|--------------------------|-------------------|------|--------------|
| 1 | Asm., Shaft, Kick Start | 28250113-000 | 1 | |
| 2 | Recoil, Kick Start | 28281111-000 | 1 | |
| 3 | Bushing | 96401-152030 | 1 | |
| 4 | Washer | 94101-1528010-00K | 1 | φ15* φ 28*t1 |
| 5 | Clip, Cir | 94511-15005 | 1 | |
| 6 | Pin, Dowel | 94301-10140 | 2 | φ10*14L |
| 7 | Hose | 11211112-000 | 1 | |
| 8 | Bolt | 91000-060258-00K | 8 | M6*P1.0*25L |
| 9 | Asm., Kick Start | 28300111-001 | 1 | |
| 10 | Bolt | 96000-060258-00K | 1 | M6*P1.0*25L |
| 11 | Bolt | 91000-060608-00K | 1 | M6*P1.0*60 |
| 12 | Bracket, Carburator Tube | 11351111-000 | 1 | |
| 13 | Shaft, Pin | 96300-08029 | 1 | |
| 14 | Cover, Clutch | 11341170-000 | 1 | |
| 15 | Bolt | 91000-060358-00K | 2 | M6*P1.0*35L |
| 16 | Gasket | 11359113-001 | 1 | |
| 17 | Asm., Kick Pinion | 28225113-000 | 1 | |

| ITEM | DESCRIPTION | P/N | Q"TY | Note |
|------|----------------------|-------------------|------|--------------|
| 1 | Washer | 94101-0816015-00C | 1 | 8.1* φ 16*t1 |
| 2 | Asm., Idle Gear | 23422113-000 | 1 | |
| 3 | Washer | 94101-0818008-000 | 2 | 8.2* φ 18*t0 |
| 4 | Shaft, Pin | 96300-08032 | 1 | |
| 5 | Plate, Idle Gear | 28236113-000 | 1 | |
| 6 | Bolt | 91000-060128-00K | 2 | M6*P1.0*12 |
| 7 | Washer | 94124-0812003-00K | 1 | |
| 8 | Asm., One Way Clutch | 28410113-000 | 1 | |
| 9 | Washer | 94101-1319005-000 | 1 | 13* φ 19*t0. |
| 10 | Gear, Starter | 28220113-000 | 1 | |
| 11 | Bearing, Needle | 96200-555912 | 1 | |
| 12 | Boss, Gear | 28202113-000 | 1 | |
| 13 | Washer | 94101-5676006-000 | 1 | 56* φ 76*t0. |

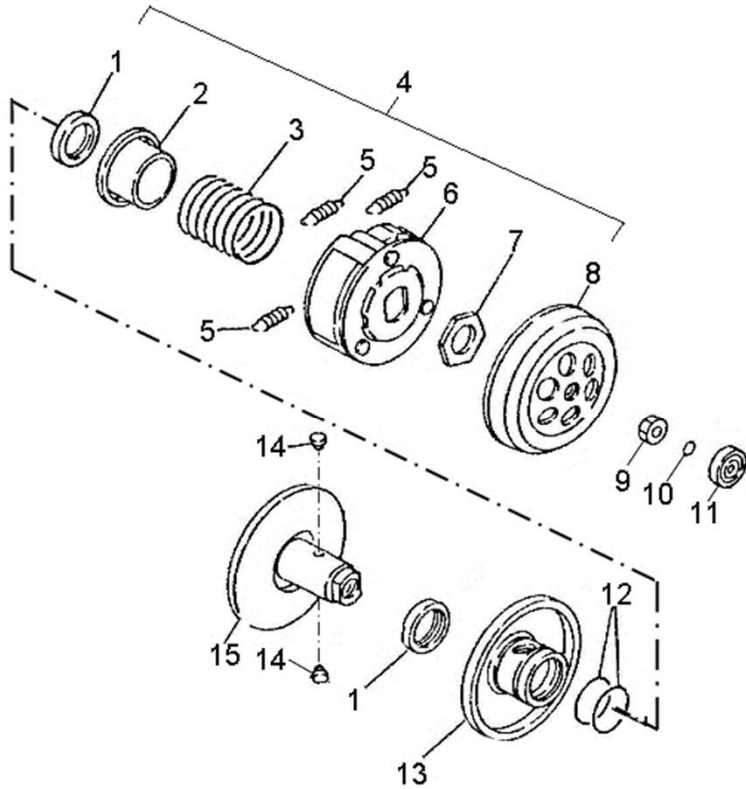


D-11:DRIVE CLUTCH



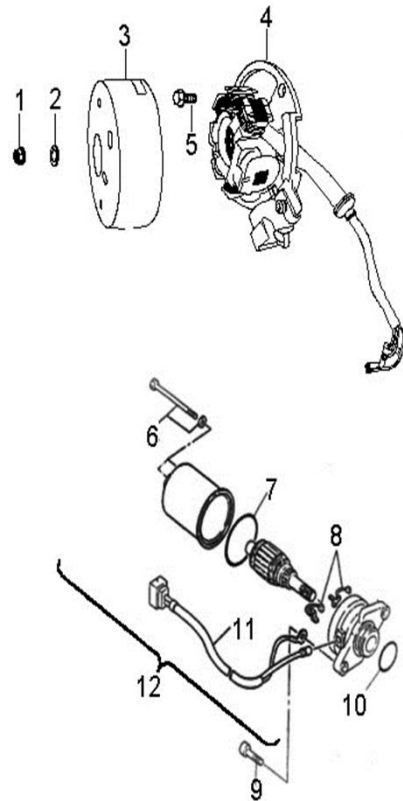
| ITEM | DESCRIPTION | P/N | Q"TY | Note |
|------|-------------------------------|-------------------|------|--------------|
| 1 | Bushing, Slider | 22132113-000 | 3 | |
| 2 | Plate, Sheave | 22131113-000 | 1 | |
| 3 | Roller | 22121113-000 | 6 | |
| 4 | Wheel, Slot, Sliding, Primary | 22110113-000 | 1 | |
| 5 | Asm., Sliding | 22103113-000 | 1 | |
| 6 | Bushing | 96401-131838 | 1 | |
| 7 | Washer | 94101-1319005-000 | 1 | 13* φ 19*t0. |
| 8 | Sheave, moveable | 22102113-000 | 1 | |
| 9 | Washer, Claw | 22150111-000 | 1 | |
| 10 | Clutch, One-Way | 22140111-000 | 1 | |
| 11 | Washer, Spring | 94125-1024025-000 | 1 | |
| 12 | Nut | 94050-10000-00C | 1 | M10*P1.25 |
| 13 | Belt, Driven | 23100113-000 | 1 | |

D-12:DRIVEN CLUTCH

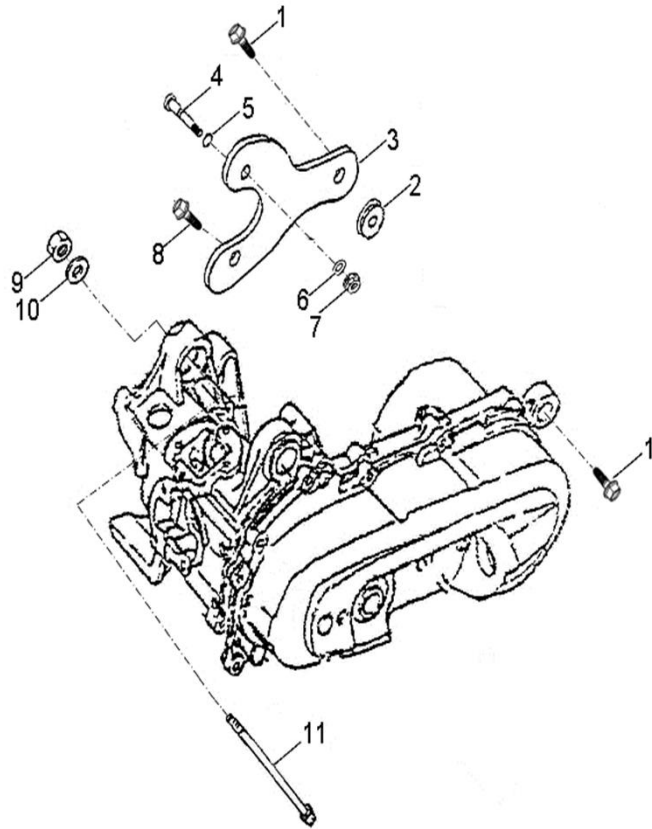


| ITEM | DESCRIPTION | P/N | Q"TY | Note |
|------|---------------------|----------------------|------|------------|
| 1 | Seal, Oil | 96500-333904A0015 | 2 | |
| 2 | Seal, Collor | 23237113-000 | 1 | |
| 3 | Spring, Clutch | 23233113-000 | 1 | |
| 4 | Asm., Driven Clutch | 22000113-001 | 1 | |
| 5 | Spring, Clutch | 22401113-000 | 3 | |
| 6 | Weight, Clutch | 22350113-000 | 1 | |
| 7 | Nut | 90202-28000-00C | 1 | |
| 8 | Clutch, Outer | 22100113-000 | 1 | |
| 9 | Nut | 94001-10000-24C | 1 | |
| 10 | O-Ring | 93210-00630 | 1 | |
| 11 | Bearing, Ball | 96100-63800-ZZ000/ZG | 1 | 638ZZ/L542 |
| 12 | O-Ring | 93210-03622 | 2 | |
| 13 | Sheave, Moveable | 23220113-000 | 1 | |
| 14 | Pin, Guide | 23225113-000 | 2 | |
| 15 | Sheave, Driven | 23200201-000 | 1 | |

D-13:GENERATOR/ START MOTOR



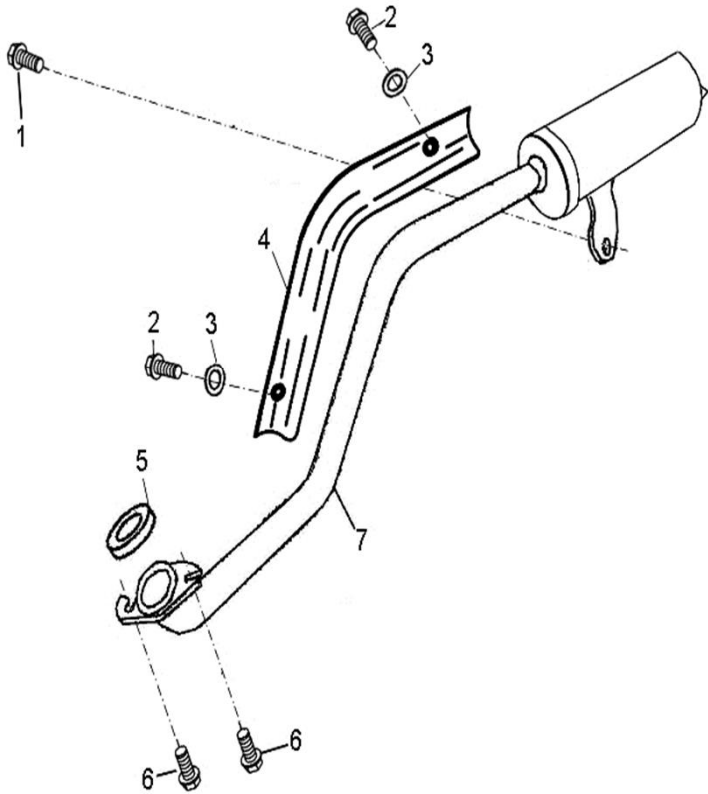
| ITEM | DESCRIPTION | P/N | Q"TY | Note |
|------|----------------|-------------------|------|-------------|
| 1 | Nut | 94050-10000-00C | 1 | M10*P1.25 |
| 2 | Washer | 94101-1022020-00C | 1 | 10.1*φ 22*t |
| 3 | Flywheel | 31110151-000 | 1 | |
| 4 | Stator | 31120151-000 | 1 | |
| 5 | Bolt | 96000-060168-OKL | 2 | M6*P1.0*16l |
| 6 | Bolt Set | 88310113-000 | 2 | |
| 7 | O-Ring | 93210-04537 | 1 | |
| 8 | Brush Set | 31201113-000 | 1 | |
| 9 | Bolt | 91000-060208-00C | 2 | M6*P1.0*20l |
| 10 | O-Ring | 93210-02622 | 1 | |
| 11 | Cord | 31202113-000 | 1 | |
| 12 | Motor, Starter | 31200151-000 | 1 | |



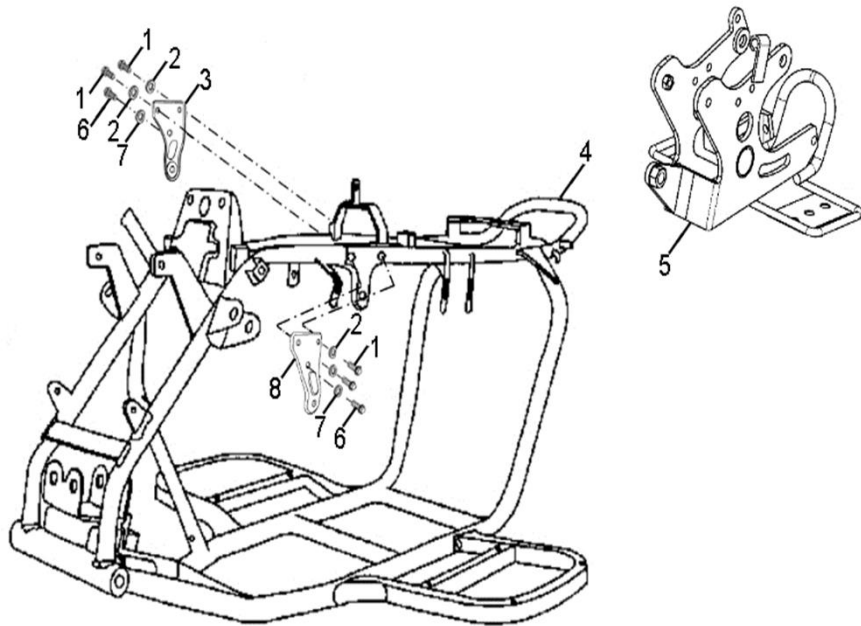
| ITEM | DESCRIPTION | P/N | Q"TY | Note |
|------|--------------------------|-------------------|------|--------------|
| 1 | Bolt | 96000-080358-00K | 2 | M8*P1.25*35 |
| 2 | Bushing | 96400-082020 | 1 | |
| 3 | Mount, Engine, Rear | 50350131-001 | 1 | |
| 4 | Shaft, Fixed, Rear Brake | 43110131-000 | 1 | |
| 5 | O-Ring | 93210-00718 | 1 | |
| 6 | Washer | 94101-0816015-00C | 1 | 8.1* φ 16*t1 |
| 7 | Nut | 94050-08000-00C | 1 | M8*P1.25 |
| 8 | Bolt | 96000-120508-00C | 1 | |
| 9 | Nut | 90350-12000-00C | 1 | M12*P1.25 |
| 10 | Washer | 94101-1225020-00C | 1 | 12.1* φ 25*t |
| 11 | Bolt | 96000-122368-14C | 1 | |

D-15:EXHAUST PIPE

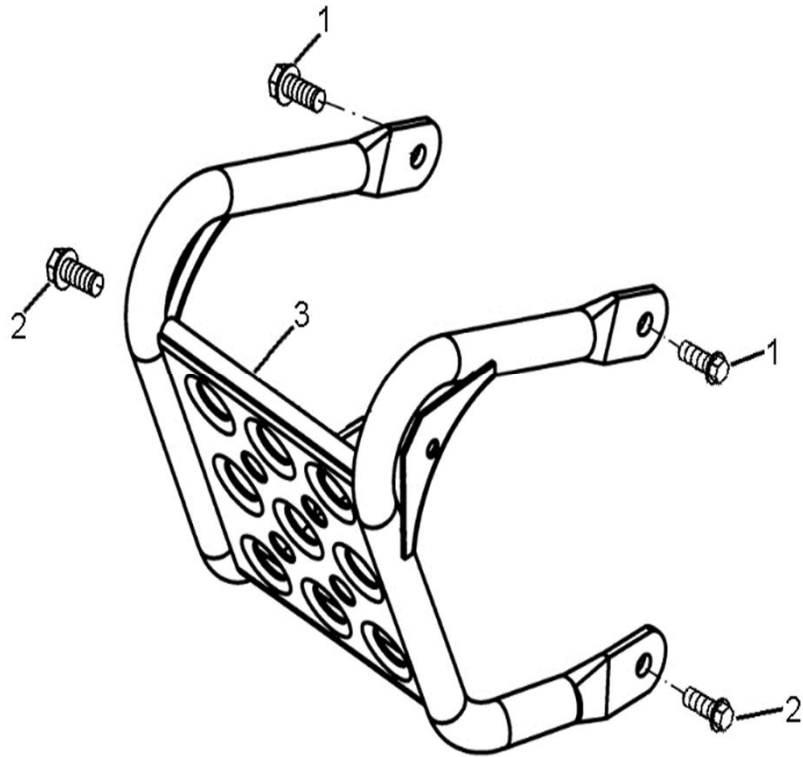
| ITEM | DESCRIPTION | P/N | Q"TY | Note |
|------|-----------------|-------------------|------|-------------|
| 1 | Bolt | 96000-080128-00K | 1 | M8*P1.25*12 |
| 2 | Bolt | 96000-060108-00B | 2 | M6*P1.0*10 |
| 3 | Gasket | 94102-0613010-000 | 2 | |
| 4 | Shield, Exhaust | 18315156-000 | 1 | |
| 5 | Gasket | 18291111-000 | 1 | |
| 6 | Bolt | 96000-060188-OCT | 2 | M6*P1.0*18 |
| 7 | Pipe, Exhaust | 18301170-000 | 1 | |

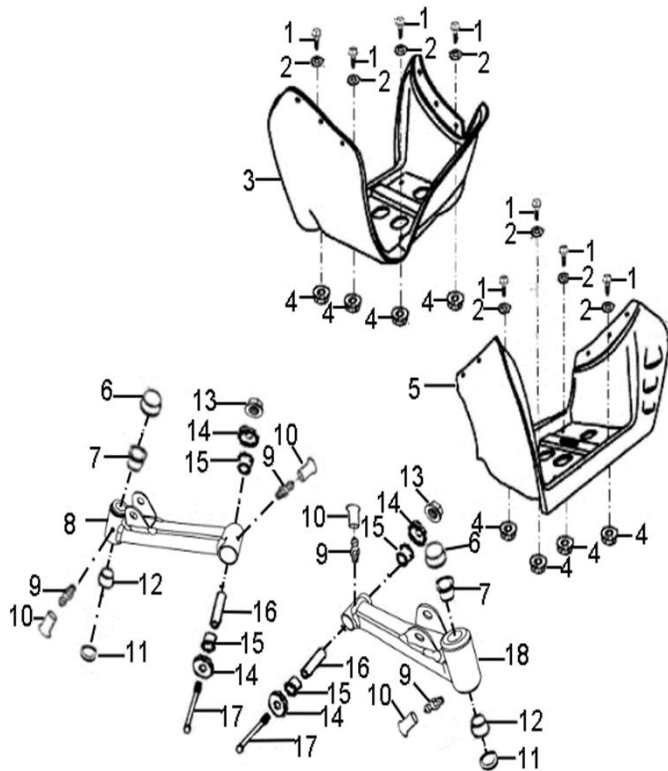


| ITEM | DESCRIPTION | P/N | Q"TY | Note |
|------|---------------------------|-------------------|------|-------------|
| 1 | Bolt | 96000-080148-OKL | 4 | 18*P1.25*14 |
| 2 | Washer, Spring | 94111-0801502-00K | 4 | 8.1*φ 15*t0 |
| 3 | Plate, Engine Bracket | 50351204-000 | 1 | |
| 4 | Asm., Frame | 50100215-00A | 1 | |
| 5 | Arm, Swing | 52410204-000 | 1 | |
| 6 | Bolt | 96000-100208-OKL | 2 | 10*P1.25*20 |
| 7 | Washer, Spring | 94111-1001502-00K | 2 | 10.1*φ 15*t |
| 8 | Bracket, Engine Mount, RH | 50355204-000 | 1 | |

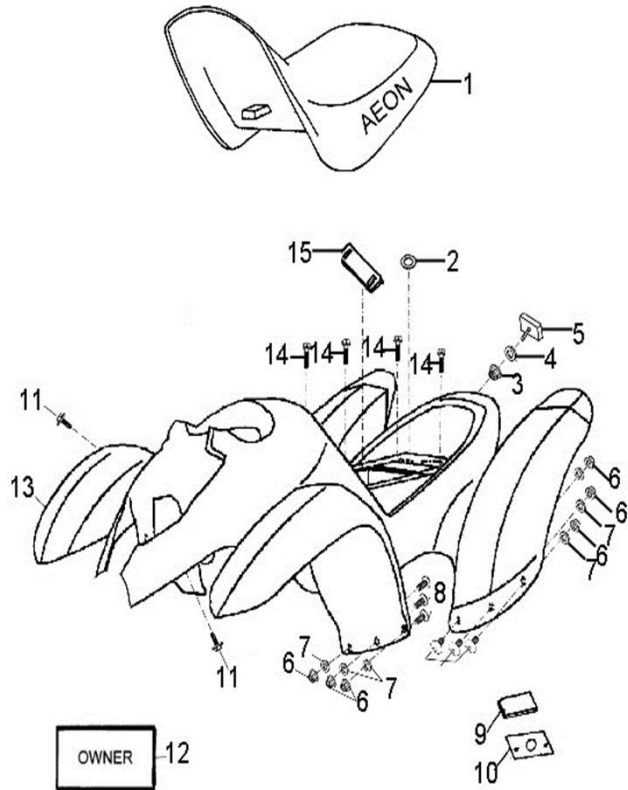


| ITEM | DESCRIPTION | P/N | Q"TY | Note |
|------|-------------|------------------|------|-------------|
| 1 | Bolt | 96000-060168-10K | 2 | M6*P1.0*16 |
| 2 | Bolt | 96000-080168-00K | 2 | M8*P1.25*16 |
| 3 | Bumper | 50460170-000 | 1 | |



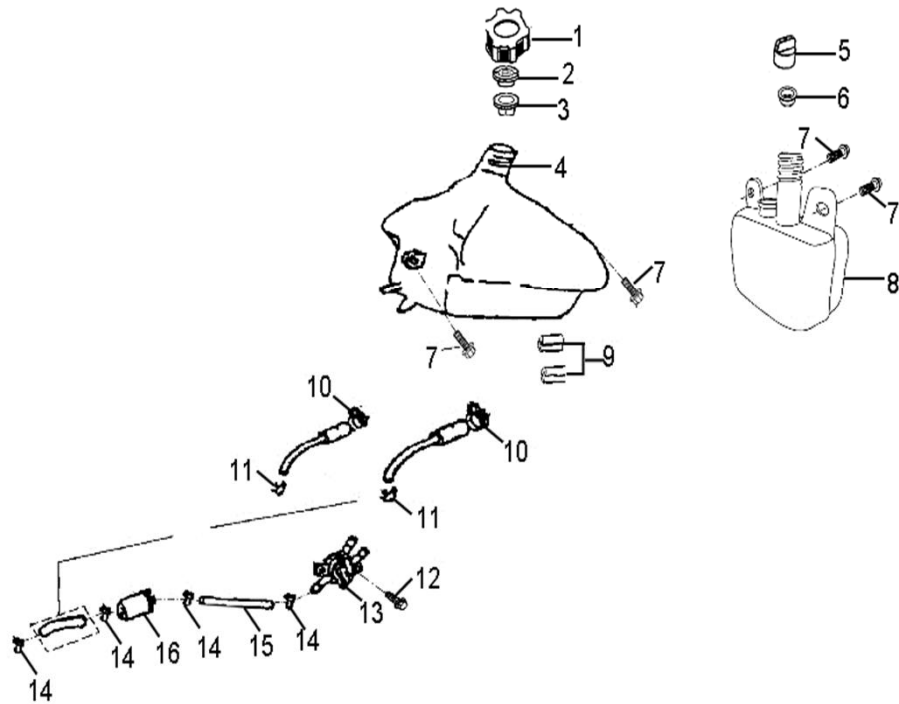


| ITEM | DESCRIPTION | P/N | Q"TY | Note |
|------|----------------------------|-------------------|------|-------------|
| 1 | Bolt | 92005-060358-00K | 8 | |
| 2 | Washer | 94101-0613010-00K | 8 | φ6* φ 13*t1 |
| 3 | Asm., Footwell, RH | 64300131-BLC | 1 | |
| 4 | Nut | 90350-06000-00K | 8 | M6*P1.0 |
| 5 | Asm., Footwell, LH | 64310131-BLC | 1 | |
| 6 | Cover, Waterproof | 51200201-000 | 2 | |
| 7 | Seat, Grease Contain | 52522131-000 | 2 | |
| 8 | Arm, Suspension, Front, RH | 53026203-000 | 1 | |
| 9 | Valve, Grease | 51300131-000 | 4 | |
| 10 | Cap, Valve, Grease | 51301131-000 | 4 | |
| 11 | Cap, Dustproof | 52424131-000 | 2 | |
| 12 | Seat, Grease Contain | 52523131-000 | 2 | |
| 13 | Nut | 94050-10000-00C | 2 | M10*P1.25 |
| 14 | Cap, dustproof | 52426156-000 | 4 | |
| 15 | Bushing | 53135203-000 | 4 | |
| 16 | Spacer | 53140156-000 | 2 | |
| 17 | Bolt | 96000-100758-OKL | 2 | |
| 18 | Arm, Suspension, Front, LH | 53126203-000 | 1 | |

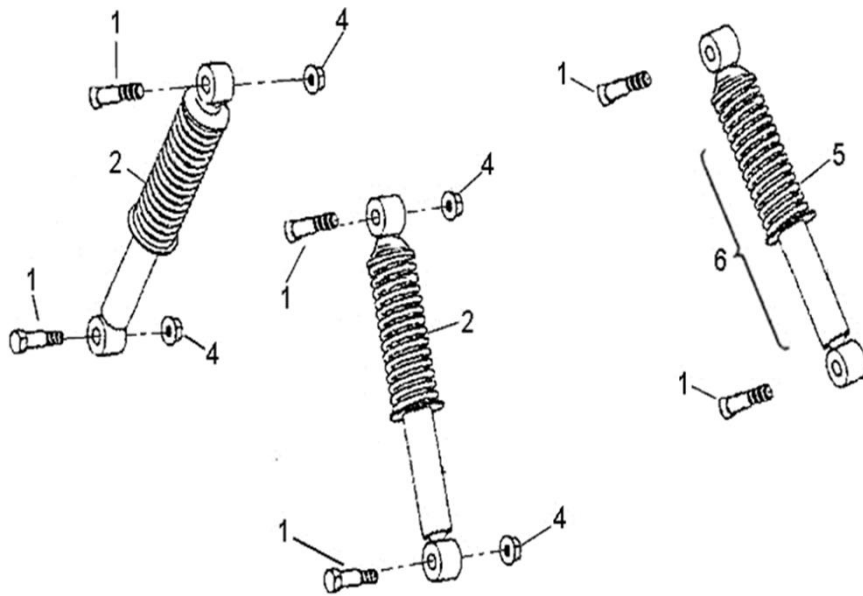


| ITEM | DESCRIPTION | P/N | Q"TY | Note |
|------|------------------|-------------------|------|-------------|
| 1 | Seat | 77200170-00A | 1 | |
| 2 | O-Ring | 93210-04635 | 1 | |
| 3 | Nut | 94050-05000-00C | 1 | M5*P0.8 |
| 4 | Washer | 94101-0519010-00K | 1 | b5.1*φ 19*t |
| 5 | Reflector | 33741131-000 | 1 | |
| 6 | Nut | 90350-05000-00K | 12 | M5*P0.8 |
| 7 | Washer | 94101-0514010-00K | 12 | b5.1*φ 14*t |
| 8 | Bolt | 93100-050168-00K | 12 | M5*P0.8*16l |
| 9 | Foam | 31510131-000 | 1 | |
| 10 | Decal, Isolation | 80140131-000 | 1 | |
| 11 | Bolt | 92003-060168-00K | 2 | L0*16L W/W |
| 12 | Manual, Owner's | 88510211-000 | 1 | |
| 13 | Cab, Front | 61100171-133 | 1 | |
| 14 | Bolt | 92005-060168-00K | 4 | L0*16L W/W |
| 15 | Strap, Battery | 89750131-002 | 1 | |

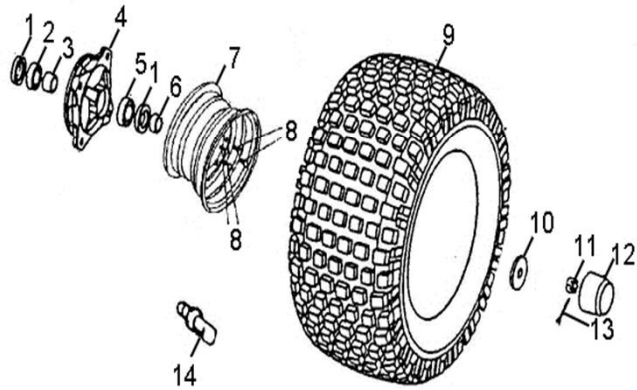
| ITEM | DESCRIPTION | P/N | Q"TY | Note |
|------|---------------------|------------------|------|-------------|
| 1 | Cap, Fuel Tank | 17620151-000 | 1 | |
| 2 | Vent, Fuel Cap | 17621156-000 | 1 | |
| 3 | Diaphragm, Fuel Cap | 17625131-000 | 1 | |
| 4 | Asm., Tank, Fuel | 17500170-000 | 1 | |
| 5 | Cap, Oil Tank | 55105201-000 | 1 | |
| 6 | Diaphragm, Oil Tank | 55106201-000 | 1 | |
| 7 | Bolt | 92005-060168-00K | 4 | L.0*16L W/V |
| 8 | Asm., Oil Tank | 55100170-002 | 1 | |
| 9 | Rubber, Fuel Tank | 64319131-000 | 2 | |
| 10 | Clamp | 94510-12000 | 2 | |
| 11 | Clamp | 94510-08000 | 2 | |
| 12 | Bolt | 96000-060128-10K | 1 | M6*P1.0*12L |
| 13 | Valve, Fuel | 17950131-000 | 1 | |
| 14 | Clamp | 94510-08000 | 4 | |
| 15 | Fuel hose | 94401-05009-160 | 1 | |
| 16 | Filter, Fuel | 17952111-000 | 1 | |



| ITEM | DESCRIPTION | P/N | Q"TY | Note |
|------|--------------------------|------------------|------|-------------|
| 1 | Bolt | 96000-100408-OKL | 6 | 10*P1.25*40 |
| 2 | Asm., Suspension, Front | 51100249-878 | 2 | |
| 4 | Nut | 94050-10000-00C | 4 | M10*P1.25 |
| 5 | Spring, Suspension, Rear | 52401170-000 | 1 | |
| 6 | Asm., Suspension, Rear | 52400170-000 | 1 | |

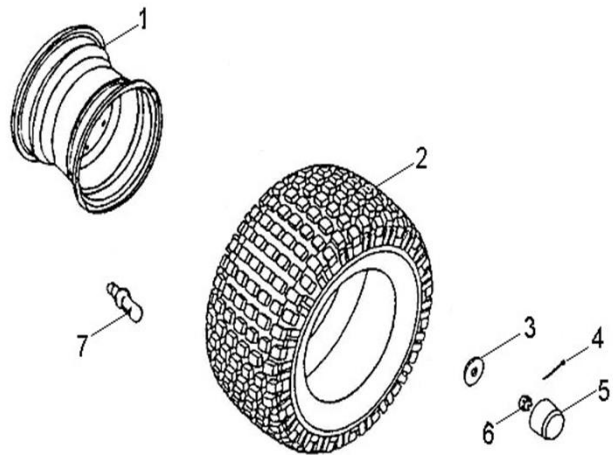


| ITEM | DESCRIPTION | P/N | Q"TY | Note |
|------|--------------------|-------------------|------|-----------|
| 1 | Seal, Oil | 96500-223507A7271 | 4 | |
| 2 | Bearing, Ball | 0490002-000 | 2 | |
| 3 | Spacer | 44311131-000 | 2 | |
| 4 | Drum, Brake, Front | 45130170-001 | 2 | |
| 5 | Bearing, Ball | 0490001-000 | 2 | |
| 6 | Spacer | 44312131-000 | 2 | |
| 7 | Rim | 42701170-067 | 2 | |
| 8 | Nut | 90355-10000-14C | 8 | |
| 9 | Tire | 42711170-000 | 2 | |
| 10 | Washer | 94101-1240050-00C | 2 | |
| 11 | Nut, Lock | 90351-12000-00C | 2 | M12*P1.25 |
| 12 | Cap, Hub | 42730151-000 | 2 | |
| 13 | Pin, Cotter | 94201-32320 | 2 | |
| 14 | Valve, Rim | 42616131-000 | 2 | |



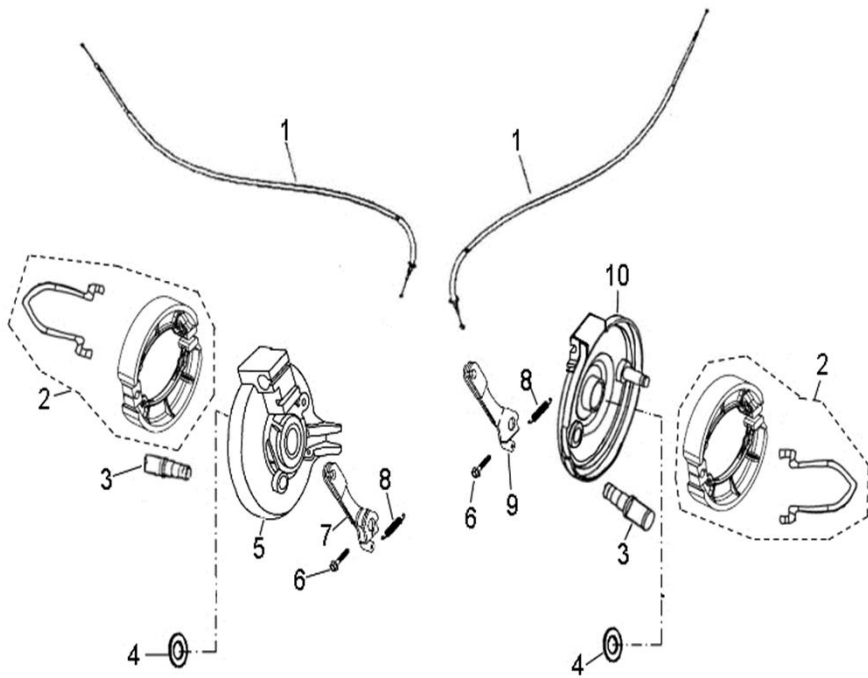
← FWD

| ITEM | DESCRIPTION | P/N | Q"TY | Note |
|------|-------------|-------------------|------|-------------|
| 1 | Rim, Rear | 42801170-067 | 2 | |
| 2 | Tire | 42811170-000 | 2 | |
| 3 | Washer | 94101-1443030-00C | 2 | 14.1*φ 43*t |
| 4 | Pin, Cotter | 94201-32320 | 2 | |
| 5 | Cap, Hub | 42730151-000 | 2 | |
| 6 | Nut, Lock | 90351-14000-00C | 2 | M14*P1.5 |
| 7 | Valve, Rim | 42616131-000 | 2 | |

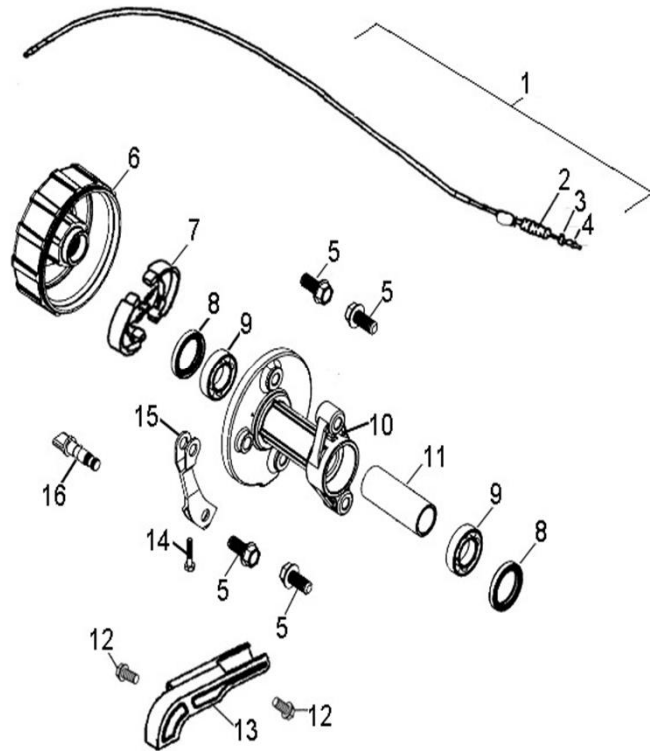


←FWD

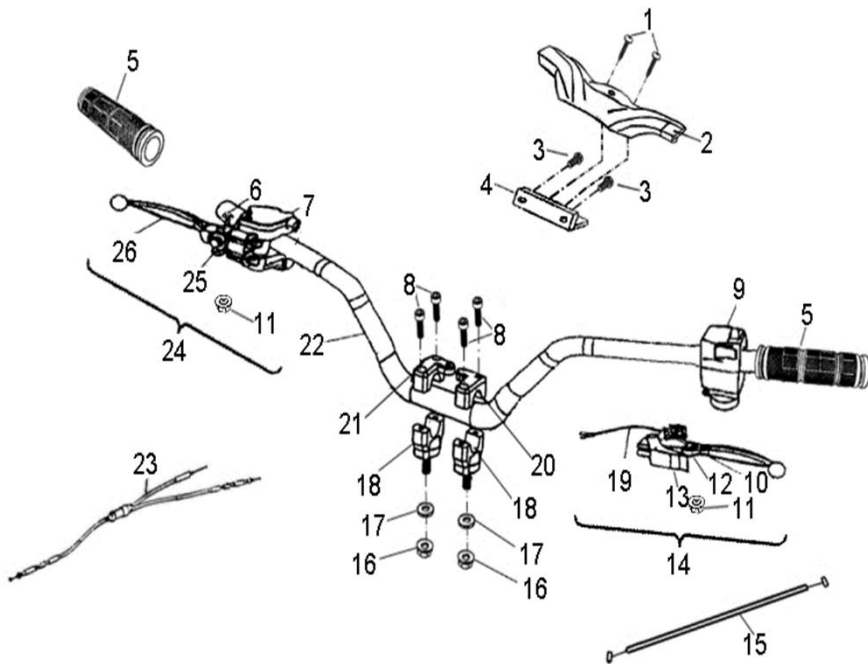
| ITEM | DESCRIPTION | P/N | Q"TY | Note |
|------|-------------------------|-------------------|------|-------------------|
| 1 | Cable, Front Brake | 45450170-000 | 2 | |
| 2 | Asm., Shoe, Front Brake | 45120170-000 | 2 | |
| 3 | Shaft, Cam, Front Brake | 45141131-000 | 2 | |
| 4 | Washer | 94101-1722010-00K | 2 | 7.1* ϕ 21.8' |
| 5 | Plate, Front Brake, Rh | 45020151-000 | 1 | |
| 6 | Bolt | 96000-050248-00C | 2 | M5*P0.8*24I |
| 7 | Arm, Front Brake, RH | 45420151-000 | 1 | |
| 8 | Spring, Return, Front | 45143131-000 | 2 | |
| 9 | Arm, Front Brake, LH | 45410-151-000-00 | 1 | |
| 10 | Plate, Front Brake, LH | 45010151-000 | 1 | |



D-25:REAR BRAKE SYSTEM

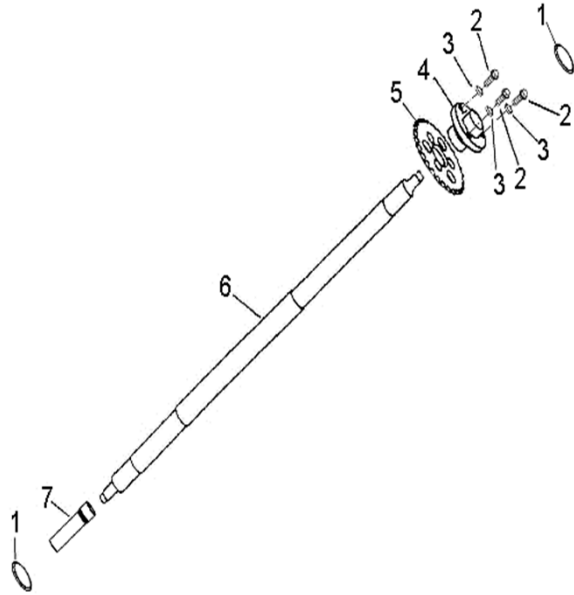


| ITEM | DESCRIPTION | P/N | Q"TY | Note |
|------|-------------------------|-------------------|------|-------------|
| 1 | Cable,Hand Brake, Rear | 43450202-000 | 1 | |
| 2 | Spring, Arm, Rear Brake | 43459201-000 | 1 | |
| 3 | Nut, Adjust, Brake | 43416156-000 | 1 | |
| 4 | Thru-Shaft, Rear Brake | 90207-06000-500 | 1 | |
| 5 | Bolt | 96008-120288-OCL | 4 | 12*P1.25*28 |
| 6 | Drum, Brake | 43520202-000 | 1 | |
| 7 | Pad, brake, Rear | 43120111-00C | 1 | |
| 8 | Seal, Oil | 96500-354707A7271 | 2 | |
| 9 | Bearing, Ball | 96100-60050-ZZ000 | 2 | |
| 10 | Housing, Rear axle | 42805204-000 | 1 | |
| 11 | Tube, Spacer | 42810203-000 | 1 | |
| 12 | Bolt | 96000-080128-00K | 2 | 18*P1.25*12 |
| 13 | Cover, Rear | 40550170-000 | 1 | |
| 14 | Bolt | 96000-060288-10C | 1 | M6*P1.0*28 |
| 15 | Arm, Rear Brake | 43410202-000 | 1 | |
| 16 | Cam , Rear Brake | 43141201-000 | 1 | |

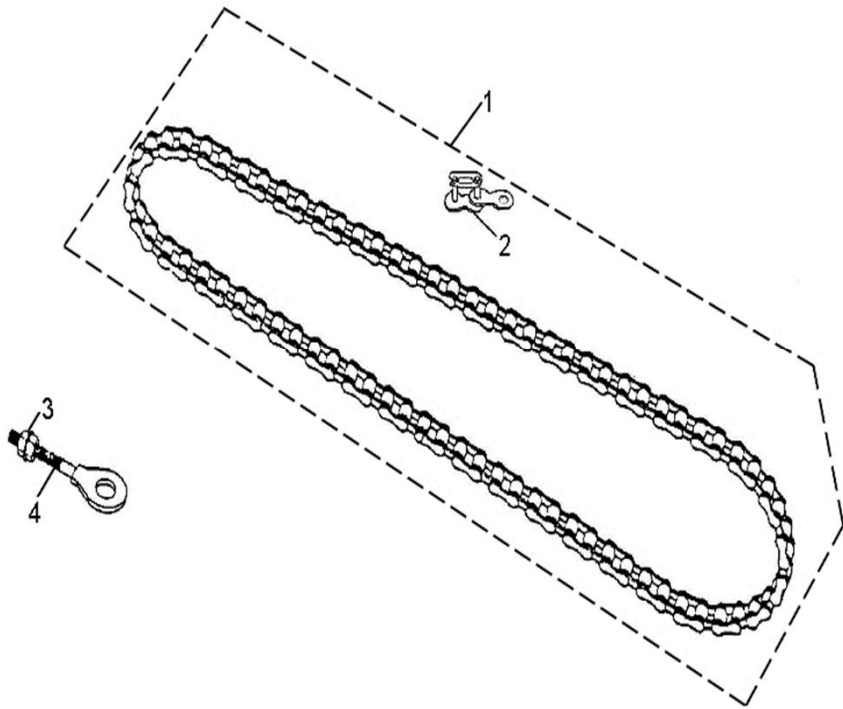


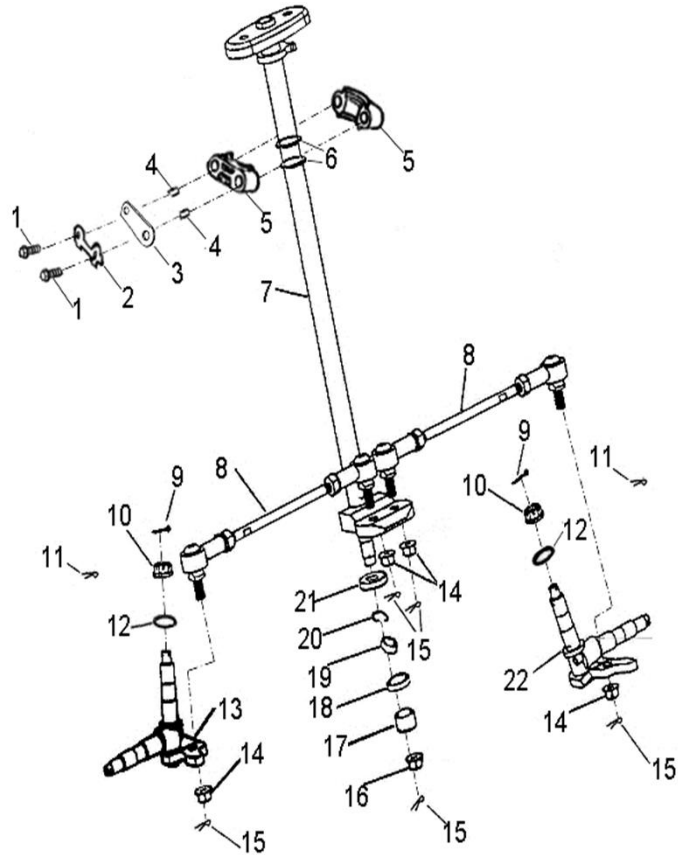
| ITEM | DESCRIPTION | P/N | Q"TY | Note |
|------|-----------------------|-------------------|------|--------------|
| 1 | Screw | 93903-1040128-00K | 2 | M4*12L |
| 2 | Pod, Handlebar | 64211170-000 | 1 | |
| 3 | Bolt | 96000-060128-10K | 2 | M6*P1.0*12L |
| 4 | Bracket, Pod | 53310170-002 | 1 | |
| 5 | Grip, Handlebar | 53167201-000 | 2 | |
| 6 | Bolt, Brake lever, RH | 90115-090228-000 | 1 | M9*P1.25*22L |
| 7 | Seat, Lever, RH | 53176131-000 | 1 | |
| 8 | Bolt | 91000-060258-00K | 4 | M6*P1.0*25L |
| 9 | Asm., Switch, LH | 35151170-001 | 1 | |
| 10 | Bolt | 90116-090238-00K | 1 | |
| 11 | Nut | 90350-06000-00K | 2 | M6*P1.0 |
| 12 | Lever, Brake, LH | 53178170-000 | 1 | |
| 13 | Lock, Park Brake | 53179151-000 | 1 | |
| 14 | Asm., Lever LH | 53171205-000 | 1 | |
| 15 | Choke, Cable, Manual | 53922170-001 | 1 | |
| 16 | Nut | 90350-10000-00C | 2 | M10*P1.25 |
| 17 | Washer | 94101-1022020-00C | 2 | 10.1*φ 22*tl |
| 18 | Clamp, Lower | 53200131-000 | 2 | |
| 19 | Sensor, Brake | 53173131-000 | 1 | |
| 20 | Clamp, Upper, LH | 53210131-000 | 1 | |
| 21 | Clamp, Upper, RH | 53220131-000 | 1 | |
| 22 | Handlebar | 53100170-001 | 1 | |
| 23 | Cable, Throttle | 53910202-000 | 1 | |
| 24 | Asm., Lever, RH | 53172170-0A1 | 1 | |
| 25 | Bracket, Brake Cable | 53177131-000 | 1 | |
| 26 | Lever, Brake, RH | 53175151-000 | 1 | |

| ITEM | DESCRIPTION | P/N | Q"TY | Note |
|------|------------------------|-------------------|------|-------------|
| 1 | Washer | 94121-2040020-00K | 2 | |
| 2 | Bolt | 96000-080208-00K | 3 | 18*P1.25*20 |
| 3 | Washer, Spring | 94111-0801502-00K | 3 | 8.1*φ 15*t0 |
| 4 | Hub, Sprocket | 41210201-000 | 1 | |
| 5 | Sprocket, Drive, Final | 41201204-000 | 1 | |
| 6 | Axle | 42000203-000 | 1 | |
| 7 | Tube, Spacer, LH | 42110201-000 | 1 | |



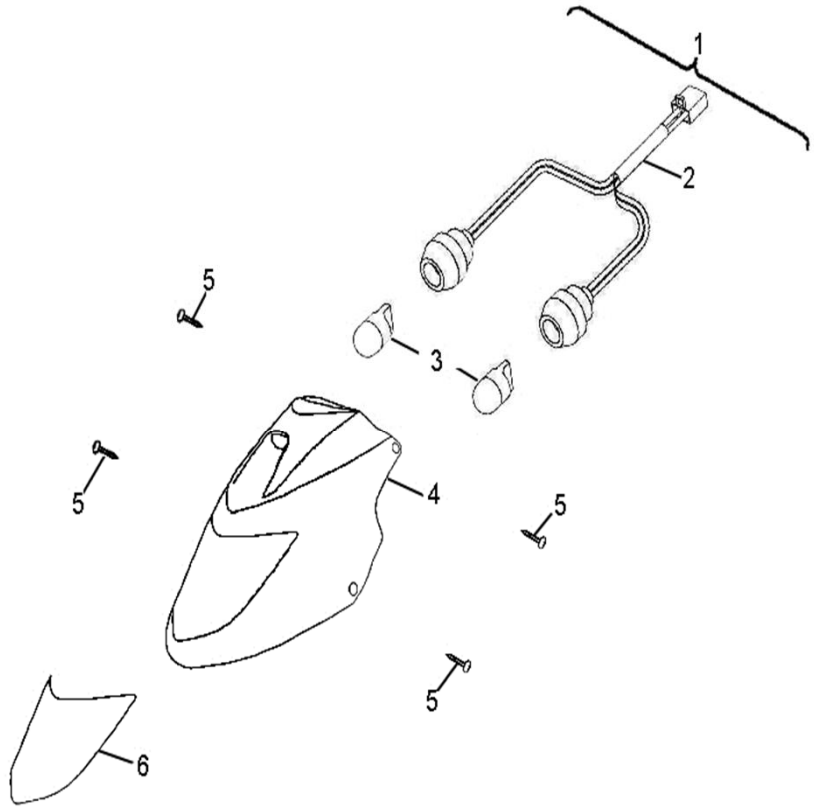
| ITEM | DESCRIPTION | P/N | Q"TY | Note |
|------|---------------------------|-----------------|------|------|
| 1 | Asm., Drive Chain | 40530170-000 | 1 | |
| 2 | Link, Master, Drive Chain | 40531170-000 | 1 | |
| 3 | Nut | 94001-06000-10C | 2 | |
| 4 | Adjuster, Chain | 40543152-001 | 1 | |



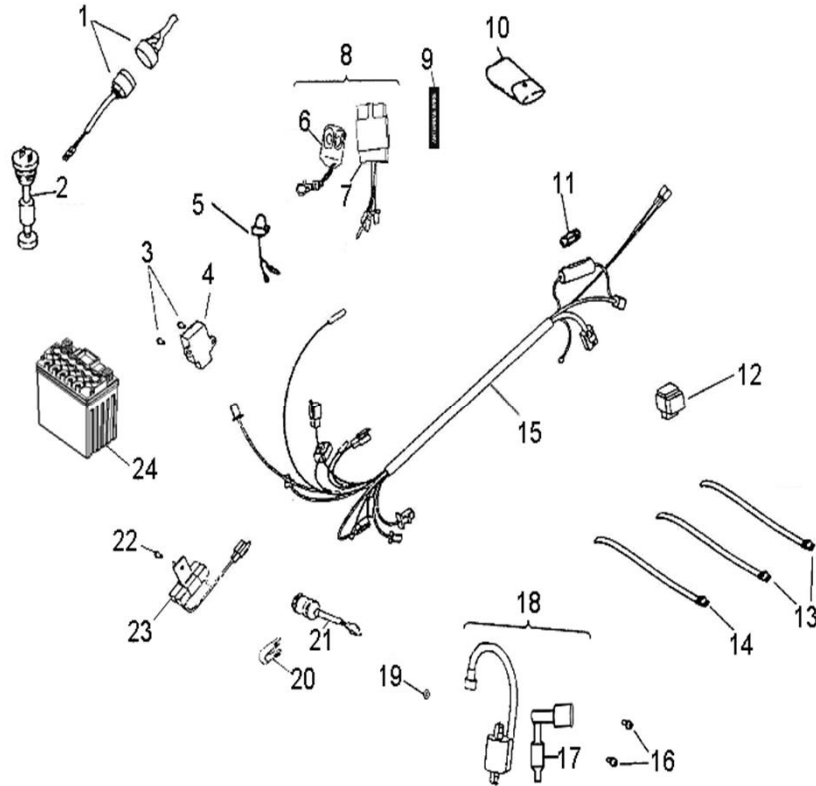


| ITEM | DESCRIPTION | P/N | Q"TY | Note |
|------|-------------------------|-------------------|------|-------------|
| 1 | Bolt | 92000-080608-00B | 2 | 18*P1.25*60 |
| 2 | Washer, Lock | 51319156-000 | 1 | |
| 3 | Bracket, Wire Collector | 51318201-000 | 1 | |
| 4 | Spacer | 51317156-000 | 2 | |
| 5 | Clamp, steering | 53500203-000 | 2 | |
| 6 | Steering Shaft Oil Seal | 51225201-000 | 2 | |
| 7 | Shaft, Steering | 51107210-000 | 1 | |
| 8 | Asm., Tie Rod | 53410206-000 | 2 | |
| 9 | Pin, Cotter | 94201-16190 | 2 | |
| 10 | Nut | 90352-10000-00C | 2 | M10*P1.25 |
| 11 | Pin, Cotter | 94201-32320 | 2 | |
| 12 | Washer | 94121-1020010-000 | 2 | 10.1*φ20*t |
| 13 | Knuckle, LH | 51310131-001 | 1 | |
| 14 | Nut | 90350-10000-00C | 4 | M10*P1.25 |
| 15 | Pin, Cotter | 94201-25190 | 5 | |
| 16 | Nut | 90355-14000-19C | 1 | |
| 17 | Spacer | 44311131-000 | 1 | |
| 18 | Seal, Oil | 96500-223507A7271 | 1 | |
| 19 | Bearing, Ball | 96100-60020-ZZ000 | 1 | 6002ZZ |
| 20 | Clip, Cir | 94512-3200R | 1 | |
| 21 | Seal, Oil | 96500-183207A7271 | 1 | |
| 22 | Knuckle, RH | 51320131-001 | 1 | |

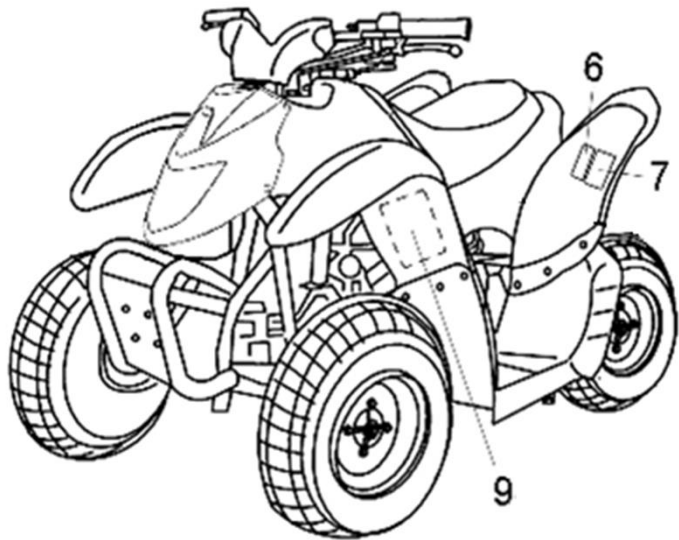
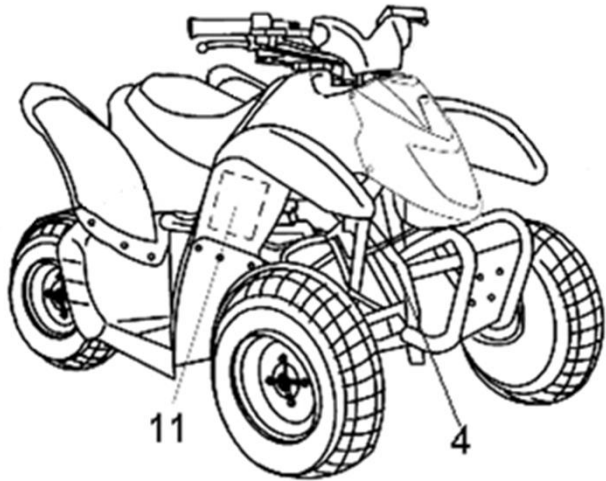
| ITEM | DESCRIPTION | P/N | Q"TY | Note |
|------|-------------------|-------------------|------|--------|
| 1 | Asm., Headlight | 33100211-000 | 1 | |
| 2 | Socket, Headlight | 33111211-000 | 1 | |
| 3 | Bulb, Headlight | 33115211-000 | 2 | |
| 4 | Cover, Headlight | 64321205-000 | 1 | |
| 5 | Screw | 93903-1050128-00K | 4 | M5*12L |
| 6 | Lens, Headlight | 33103202-000 | 1 | |



D-31:ELECTRICAL PARTS



| ITEM | DESCRIPTION | P/N | Q"TY | Note |
|------|------------------------|-------------------|------|-------------|
| 1 | Switch, Safety | 30701131-000 | 1 | |
| 2 | Asm., Oil Level Gauge | 35410203-001 | 1 | |
| 3 | Bolt | 93500-050148-00C | 2 | M5*P0.8*14I |
| 4 | Rectifier/ Regulator | 31600205-000 | 1 | |
| 5 | Lamp, Warning, Low Oil | 34908131-00A | 1 | |
| 6 | Antenna, Remoter | 30705170-000 | 1 | |
| 7 | Asm., CDI Unit | 30410170-00A | 1 | |
| 8 | Asm., CDI W/ Remoter | 30420170-00A | 1 | |
| 9 | Decal, Remoter Antenna | 30706170-000 | 1 | |
| 10 | Pouch, Tool | 89120111-001 | 1 | |
| 11 | Fuse | 98200113-000 | 1 | 7A30V |
| 12 | Starter Relay | 38501111-000 | 1 | |
| 13 | Strap | 89569131-000 | 2 | ALT-200M-B |
| 14 | Strap | 89769111-000 | 1 | |
| 15 | Harness, Main Wire | 32100219-000 | 1 | |
| 16 | Bolt | 96000-060228-00K | 2 | M6*P1.0*22I |
| 17 | Boot, Spark Plug | 30601201-000 | 1 | |
| 18 | Asm., Ignition Coil | 30510155-000 | 1 | |
| 19 | Washer, Star | 94103-0600000-00C | 1 | M6*P1.0 |
| 20 | Clip, Main Switch | 35101131-000 | 1 | |
| 21 | Switch, Main | 35102214-000 | 1 | |
| 22 | Bolt | 96000-060128-10K | 1 | M6*P1.0*12I |
| 23 | Asm., Resistor | 38601202-000 | 1 | |
| 24 | Battery | 31500111-001 | 1 | 4AH |



| ITEM | DESCRIPTION | P/N | Q"TY | Note |
|------|---------------------------|--------------|------|-------|
| 4 | Decal " CE " | 87887201-000 | 1 | |
| 6 | Decal, Tire Pressure | 87864170-000 | 1 | |
| 7 | Decal, Warring, Passenger | 87853131-00E | 1 | |
| 9 | Decal, General Waring | 87852131-00E | 1 | |
| 11 | Decal, Waring, Y-6 | 87851170-000 | 1 | |
| - | Decal Kit Minikolt 50 | 99700400-133 | 1 | White |
| | | 99700400-507 | | Red |